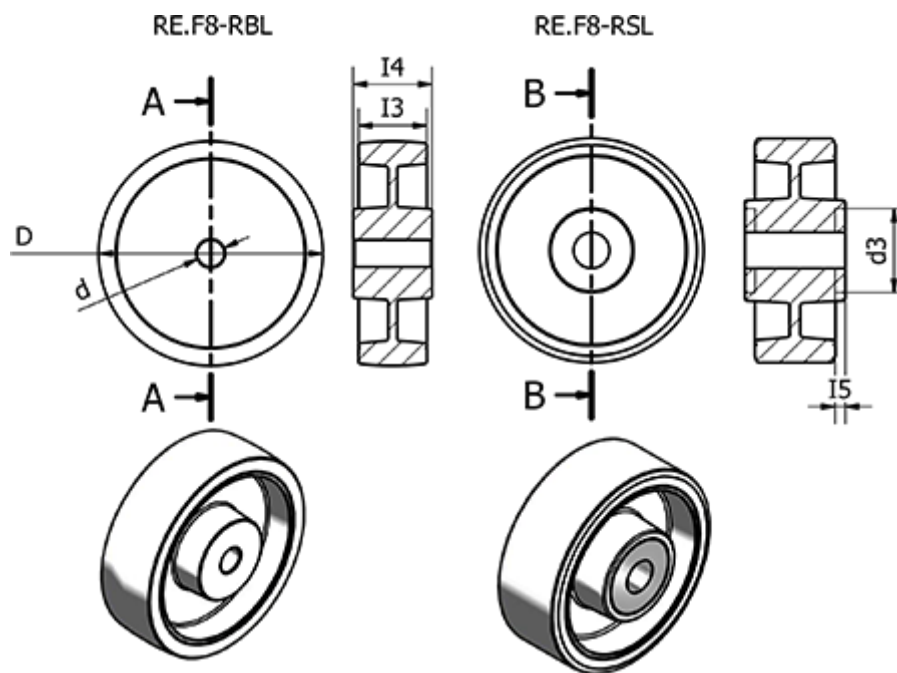


Article number: 2314449453

Description: E+G polyamide wheel

RE.F8-200-RSL - loose wheel with ball bearings in polyamid

Measures



Code	= -	Rolling resistance (N)	= 6500
d	= 449453	Static load	= 10000
d3	= 200	Type	= RE.F8-200-RSL
Dynamic carrying capacity (N)	= 9000	Wight (g)	= 1100
I3	= 50		
I4	= 56		
I5	= 13		